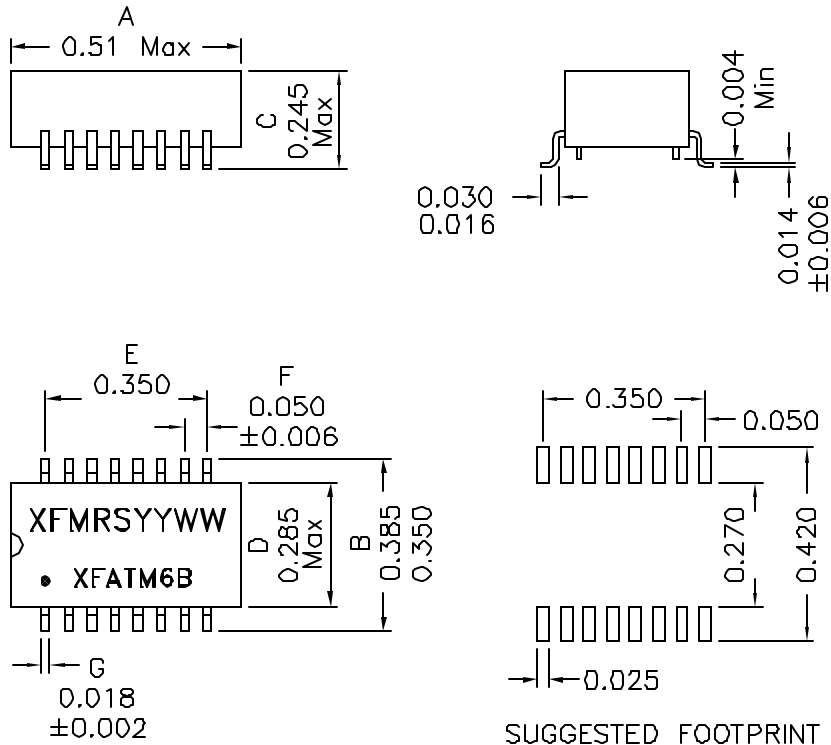
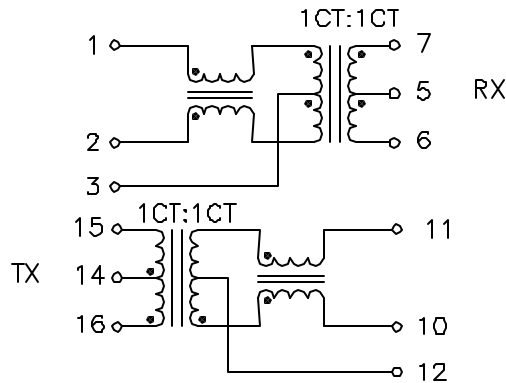


1. Mechanical Dimensions:



2. Schematic:



DOC REV: B/7

3. Electrical Specifications: @25°C

Isolation Voltage: 1500Vac

Turns Ratio: RX=1CT:1CT & TX=1CT:1CT

OCL: Pins 1-2, 11-10 350uH Min @100KHz 0.1V, 8mA_{dc}

Q: Pins 1-2, 11-10 12 Min @10KHz 50mV

Insertion Loss: @0.3-125MHz -1.1dB Max

Rise Time (10-90%): 4.0ns Typ

Return Loss: 30MHz 60MHz 80MHz
-20dB -14dB -11.5dB (Typical)

Crosstalk: 30MHz 60MHz 100MHz
-45dB -40dB -35dB (Min)

Diff. to Common Mode Rejection (Min):
30MHz 60MHz 100MHz
-42dB -37dB -33dB (Min)

Notes:

1. Solderability: Leads shall meet MIL-STD-202G, Method 208H for solderability.
2. Flammability: UL94V-0
3. ASTM oxygen index: > 28%
4. Insulation System: Class F 155°C, UL file E151556
5. Operating Temperature Range: All listed parameters are to be within tolerance from -40°C to +85°C
6. Storage Temperature Range: -55°C to +125°C
7. Aqueous wash compatible
8. SMD Lead Coplanarity: ±0.004" (0.102mm)
9. Electrical and mechanical specifications 100% tested
10. RoHS Compliant Component
11. Max IR Reflow Temperature: 250°C

XFMRs Inc www.XFMRs.com	Title: 10/100BASE-T MAGNETICS MODULES			
	UNLESS OTHERWISE SPECIFIED TOLERANCES: .xxx ±0.010	P/N: XFATM6B	REV. B	
Dimensions in Inch	DWN.	Juan Mao	Jun-19-08	
SHEET 1 OF 1	CHK.	YK Liao	Jun-19-08	
	APP.	Joe Huff	Jun-19-08	